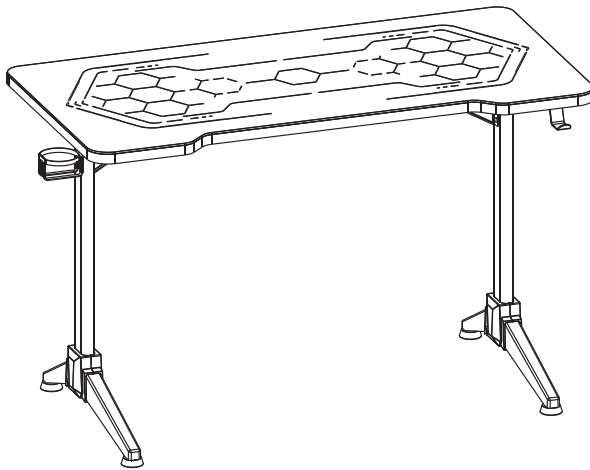




Black 48" x 24" Gaming Desk with RGB Lighting Instruction Manual



SKU: DESK-GM48BG



Scan the QR code with your mobile device or follow the link for helpful videos and specifications related to this product.

<https://vivo-us.com/products/desk-gm48bg>

GET IN TOUCH | Monday-Friday from 7:00am-7:00pm CST



help@vivo-us.com



www.vivo-us.com
Chat live with an agent!



309-278-5303

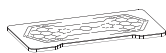
WARNING!

If you do not understand these directions, or if you have any doubts about the safety of the installation, please call a qualified technician. Check carefully to make sure there are no missing or defective parts. Improper installation may cause damage or serious injury. Do not use this product for any purpose that is not explicitly specified in this manual and do not exceed weight capacity. We cannot be liable for damage or injury caused by improper mounting, incorrect assembly, or inappropriate use.

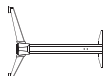
WARNING: CHOKING HAZARD

SMALL PARTS - NOT FOR CHILDREN UNDER 3 YEARS. ADULT SUPERVISION IS REQUIRED.

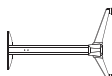
PACKAGE CONTENTS



A (x1)
Desktop



B (x1)
Left Leg



C (x1)
Right Leg



D (x1)
Left Crossbar



E (x1)
Right Crossbar



F (x1)
Hook



G (x1)
Cup Holder



H (x1)
Cable Cover



I (x1)
Power Cable



J (x1)
Remote



S-A (x4)
ST3.5x20 Screw



S-B (x5)
ST4.2x14 Screw



S-C (x16)
M6x16 Screw



S-D (x6)
Cable Clip



S-E (x1)
Magnet



T-A (x1)
Allen Wrench

TOOLS NEEDED



**Phillips
Screwdriver**

WARNING **PINCH POINT**

DO NOT place hands on or near support bars. Moving parts can crush and cut. Pinch points are created during lifting and lowering the worksurface. Failure to follow these instructions may result in serious personal injury.



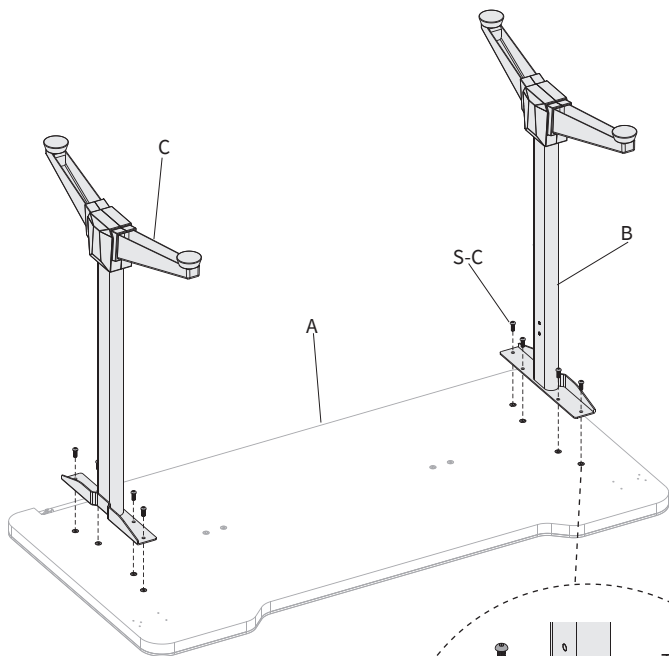
DO NOT EXCEED WEIGHT CAPACITY.
Failure to do so may result in serious injury.



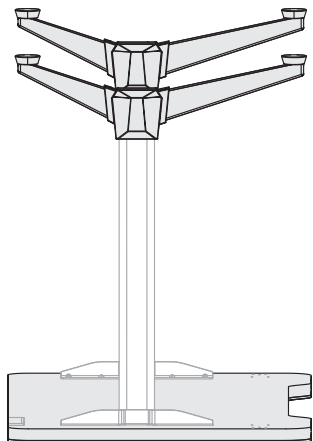
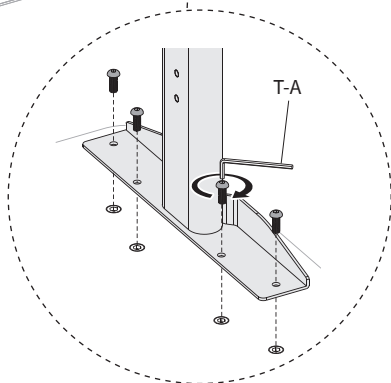
ASSEMBLY STEPS

STEP 1

Place Desktop (A) upside down on a flat surface and place Left Leg (B) and Right Leg (C) over mounting holes in Desktop (A). Secure using M6x16 Screws (S-C) and Allen Wrench (T-A).

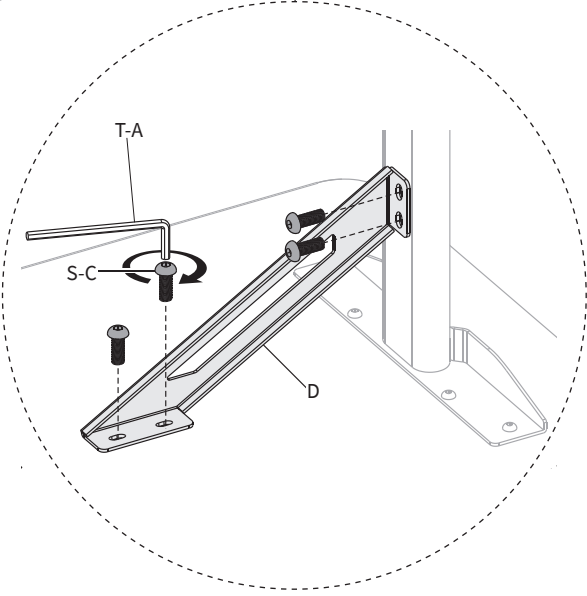
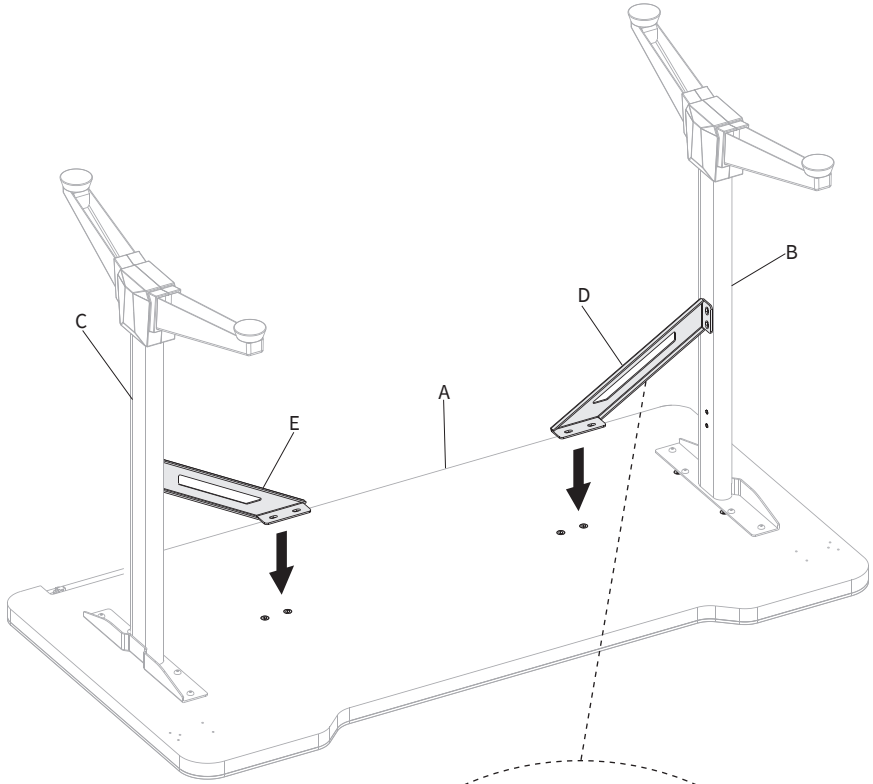


Note: The longer side of the feet must face forward to avoid any imbalance.



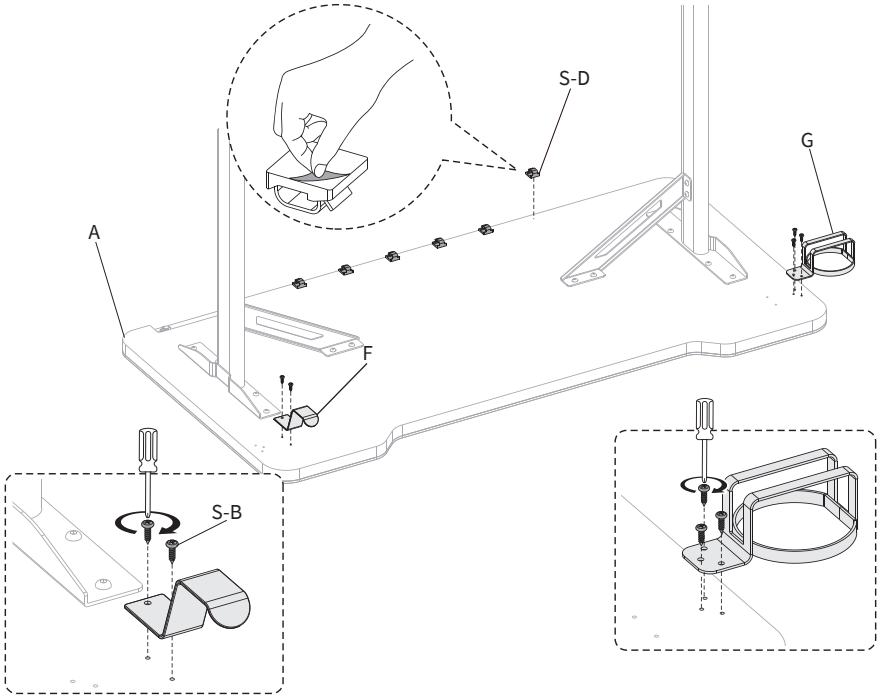
STEP 2

Mount Left Crossbar (D) to Left Leg (B) and Right Crossbar (E) to Right Leg (C), and secure the other end to Desktop (A) using M6x16 Screws (S-C) and Allen Wrench (T-A).



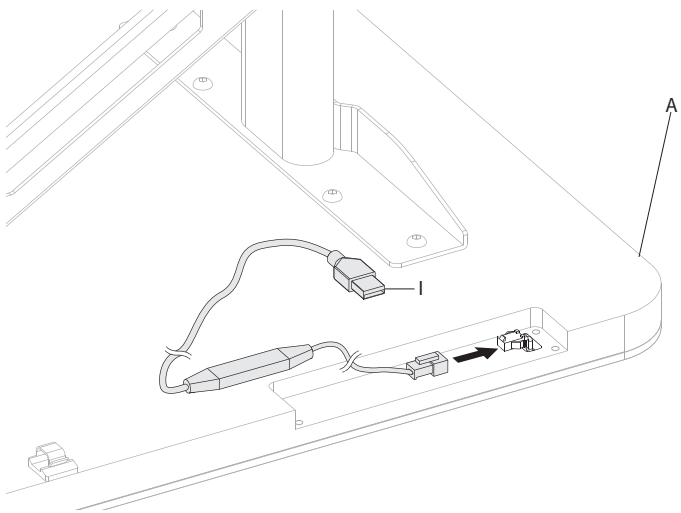
STEP 3

Stick Cable Clips (**S-D**) along the backside of the desk in desired locations. Mount Hook (**F**) and Cup Holder (**G**) to predrilled holes on either side of Desktop (**A**) using ST4.2x14 Screws (**S-B**) and a Phillips screwdriver.



STEP 4

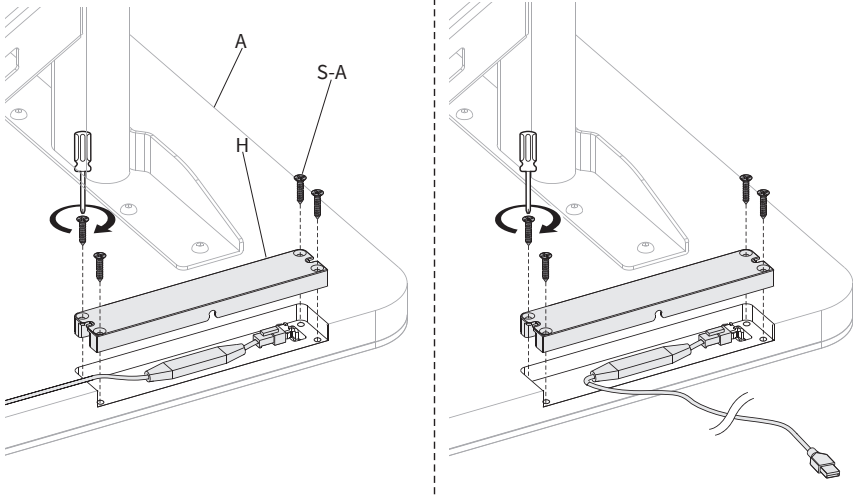
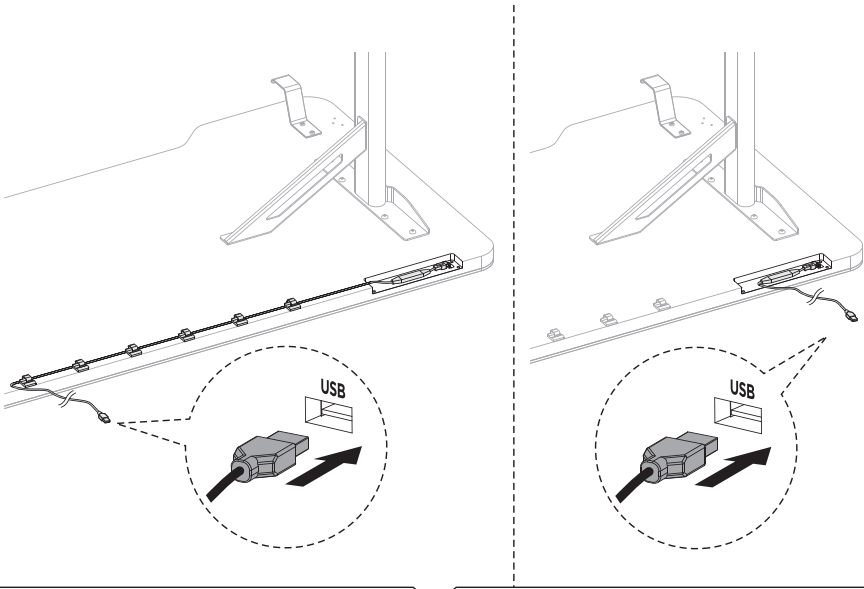
Insert Power Cable (**I**) into Desktop (**A**).



STEP 5

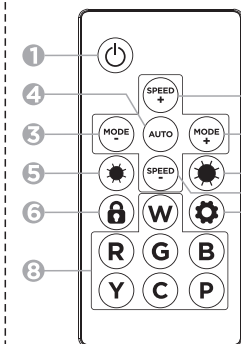
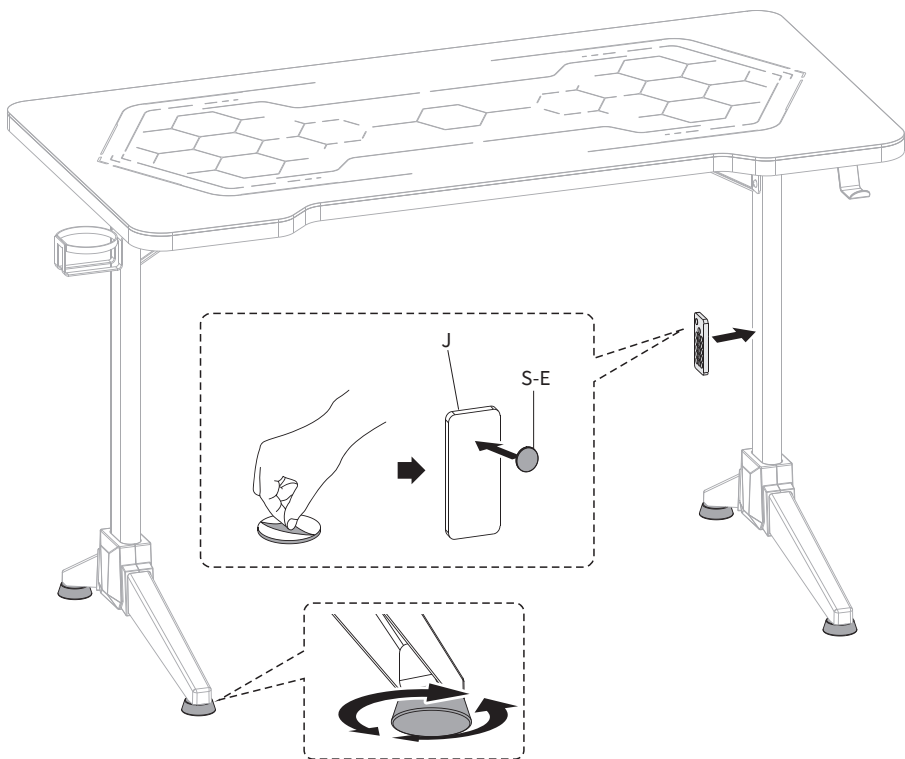
Mount Cable Cover (**H**) to Desktop (**A**) using ST3.5x20 Screws (**S-A**) and a phillips screwdriver. Connect Power Cable (**I**) to USB wall charger, or other device.

NOTE: Power Cable (**I**) can be routed through either slot on Cable Cover (**H**).



STEP 6

Peel and stick Magnet (**S-E**) to the back of Remote (**J**) and secure to desk frame assembly. If necessary, the foot pads can be adjusted to level the desk assembly.



Note: Remove the plastic battery insert prior to using the remote.

- 1 On/Off
- 2 Effect Speed +/-
- 3 Effect Mode +/-
- 4 Short Press: automatic effect show
Long press (5 secs) : 7 single - color light show
- 5 Brightness +/-
- 6 Lock/unlock the remote
- 7 Menu: Long press to enter menu, then press Mode +/- to change effect, press R/G/B to change colors.
- 8 Steady Single Colors



Open **Monday - Friday 7:00am - 7:00pm** CST,
our dedicated support team can offer immediate assistance with rapid response times. If any parts are received damaged or defective, please contact us. We are happy to replace parts to ensure you have a fully functioning product.



309-278-5303

AVG. RESOLUTION TIME (*within office hrs*): **5M 4S**



www.vivo-us.com
Chat live with an agent!

AVG. RESOLUTION TIME (*within office hrs*): **< 15 M**



help@vivo-us.com

AVG. RESPONSE TIME (*within office hrs*): **1HR 8M**

- 23% within < 15m
- 38% within < 30m
- 61% within < 1hr
- 83% within < 2hr
- 92% within < 3hr